

MAIN FEATURE

1. Low power consumption; AC/DC coil available.
2. Proper insulation distance with 5000VAC dielectric strength.
3. Contacts pin out width 5.0 mm.
4. UL Class F insulation available.
5. In accordance with IEC 60335-1 and IEC 60730-1.
6. Halogen Free available.
7. Comply with RoHS and REACH regulations.

CONTACT RATING

Load Type	EZI (DM/DB)	EZI (D)	EZI (AM/AB)	EZI (A)
Rated Load (Resistive)	12A 250VAC	12A 250VAC	12A 250VAC	12A 250VAC
	12A 30VDC	12A 30 VDC	12A 30VDC	12A 30VDC
Rated Carrying Current	12A	12A	12A	12A
Max. Allowable Voltage	AC 250V	AC 250V	AC 250V	AC 250V
	DC 300V	DC 300V	DC 300V	DC 300V
Max. Allowable Current	12A	12A	12A	12A
Max. Allowable Power Force	3,000VA	3,000VA	3,000VA	3,000VA
	360W	360W	360W	360W
Contact Material	Ag Alloy	Ag Alloy	Ag Alloy	Ag Alloy
Contact Form	SPST	SPDT	SPST	SPDT

Max Allowable Voltage: 300VDC@0.3A

APPLICATION

Cooking Appliance, Audio Equipment, Domestic Appliance and Controlling Equipment, etc.

PERFORMANCE (AT INITIAL VALUE)

- Contact Resistance 100 mΩ Max.@1A,6VDC
- Operate Time..... 12mSec. Max. (DC coil only)
20mSec. Max. (AC coil only)
- Release Time 8 mSec. Max. (DC coil only)
20mSec. Max. (AC coil only)
- Dielectric Strength:
Between Coil & Contact..... 5,000VAC at 50/60 Hz
for one minute
Between Contacts 1,000VAC at 50/60 Hz
for one minute
- Surge Strength 10,000V (between coil
& contact 1.2x50μSec.)
- Insulation Resistance 100MΩ Min. at
500VDC
- Max. On/Off Switching:
Electrical 6 Cycles per Minute
Mechanical..... 300 Cycles per Minute
- Temperature Range -40~+85 °C
- Humidity Range 45~85% RH.
- Coil Temperature Rise 30 °C Max.

- Vibration:
Destruction 10 to 55 to 10 Hz,0.75 mm single
amplitude (1.5mm double amplitude)
Malfunction 10 to 55 to 10 Hz,0.75 mm single
amplitude (1.5mm double amplitude)
- Shock:
Destruction 1,000 m/S
Malfunction 100 m/S²
- Life Expectancy:
Electrical 10⁵ Operations at
Rated Resistive Load
Mechanical 10⁷ Operations at
No load condition
- Weight About 15 g

ACCESSORIES & SOCKETS

- PI-50BE See Page 171
- PI-50BE/3 See Page 171
- PI-50-0 See Page 173

SAFETY STANDARD & FILE NUMBER

- UL & C-UL E141060
- VDE 40009648
- CQC 02001002513

COIL SPECIFICATION (AT 20°C)

Coil Sensitivity	Nominal Voltage (VAC/VDC)	Nominal Current (mA)		Coil Resistance (Ω±10%)	Power Consumption (DC: W; AC: VA)		Pull-In Voltage	Drop-Out Voltage	Maximum Allowable Voltage
		50HZ	60HZ		50HZ	60HZ			
EZI DC Coil	6	66.7		90	Abt. 0.40		80% Maximum	5% Minimum	130%
	9	44.6		202					
	12	33.3		360					
	15	26.6		560					
	18	22.3		810					
	24	16.7		1,440					
	48	8.7		5,520					
	60	8.2		7,340					
EZI AC Coil	110	4.1		26,530	0.71	0.61	15% Minimum		
	24	29.75	25.35	350					
	115	7.65	6.3	8,100					
	230	3.42	2.72	32,500					

ORDERING INFORMATION

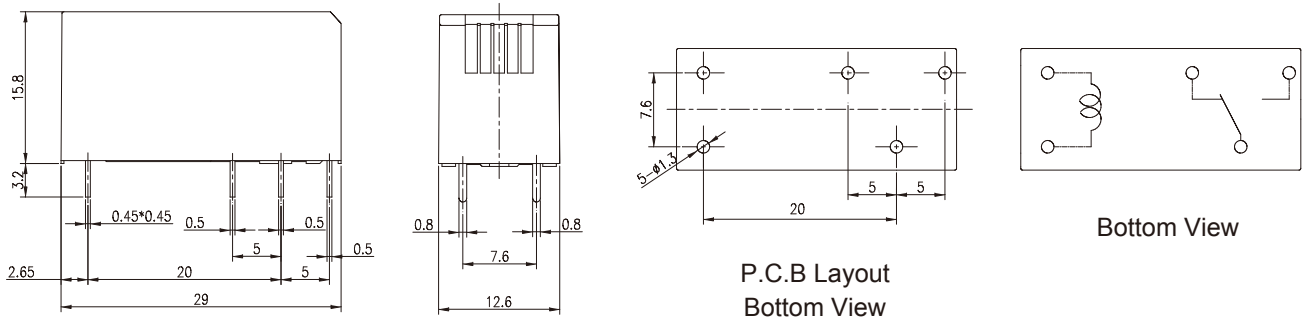
<p>EZI - SS - 1 12 D M G F</p>	<p>Insulation System: Nil: Standard Class F: Class F</p> <p>Contact Material: Nil: AgNi G: AgNi Gilded O: AgNi Plated N: AgSnO₂ S: AgSnO₂ Gilded C: AgCdO</p> <p>Contact Form: Nil: One Form C M: One Form A B: One Form B</p> <p>Coil Type: D: Standard DC A: Standard AC</p> <p>Coil Voltage: VDC (06: 6V, 09: 9V, 12: 12V, 15: 15V, 18: 18V, 24: 24V, 48: 48V, 60: 60V, 110: 110V) VAC (24: 24V, 115: 115V, 230: 230V)</p> <p>Number of Pole: 1: One Pole</p> <p>Type of Sealing: SS: RT II Flux Proofed SH: RT III Wash Tight</p> <p>Type: EZI</p>
---------------------------------------	--

CLASSIFICATION

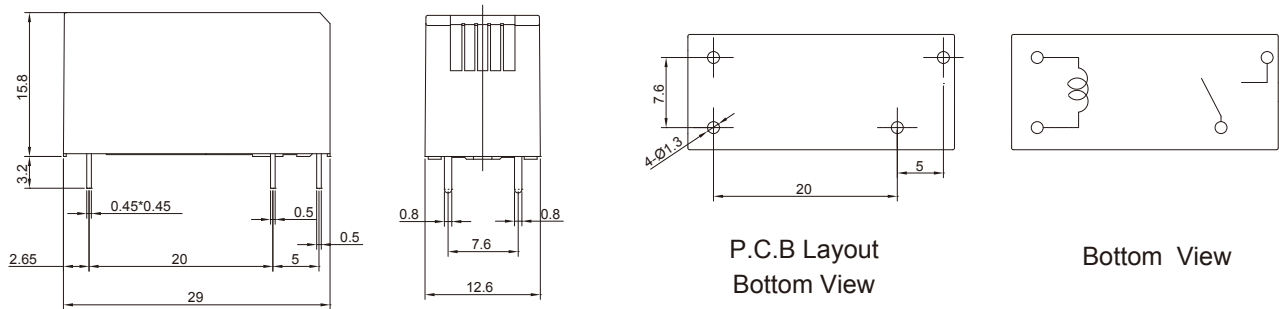
Model	EZI					
	DC Coil			AC Coil		
Contact Form	1C	1A	1B	1C	1A	1B
Flux Proofed	EZI-SS-1□□□D	EZI-SS-1□□□DM	EZI-SS-1□□□DB	EZI-SS-1□□□A	EZI-SS-1□□□AM	EZI-SS-1□□□AB
Wash Tight	EZI-SH-1□□□D	EZI-SH-1□□□DM	EZI-SH-1□□□DB	EZI-SH-1□□□A	EZI-SH-1□□□AM	EZI-SH-1□□□AB

DIMENSION (≤ 5mm ± 0.2mm, > 5mm ± 0.3mm, the tolerance of PCB thru hole: +0.1mm)

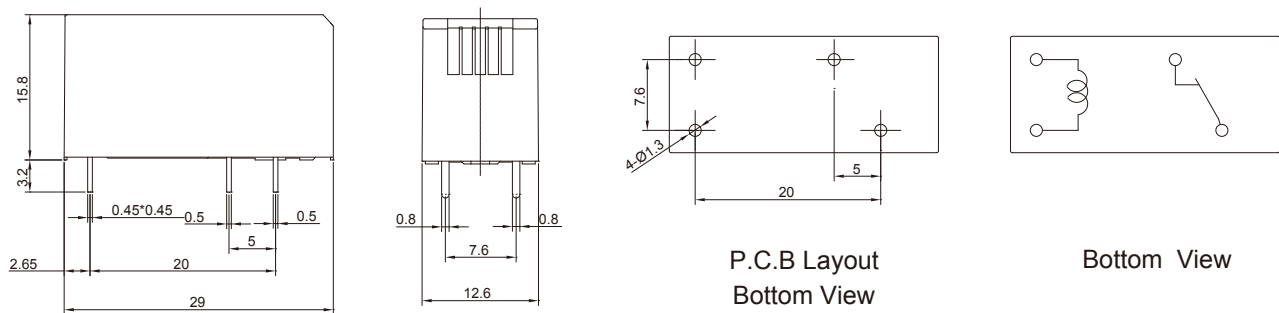
EZI-D/A



EZI-D/AM

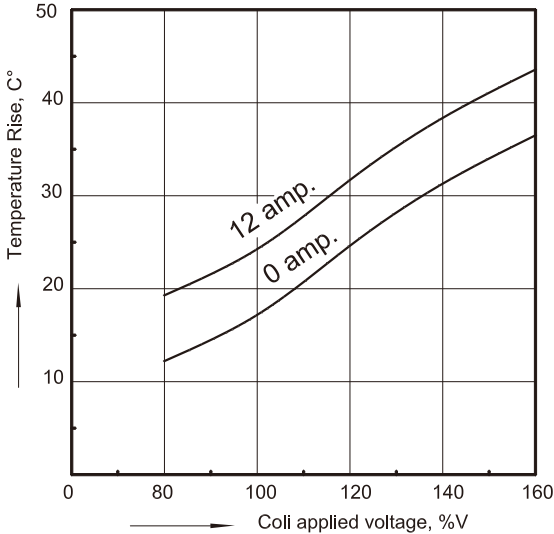


EZI-D/AB

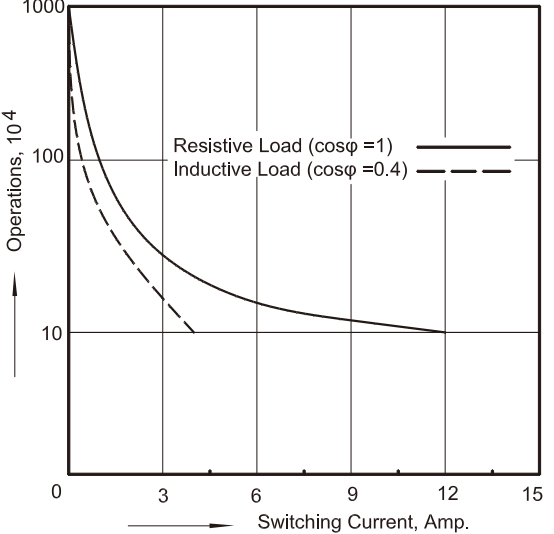


REFERENCE DATA

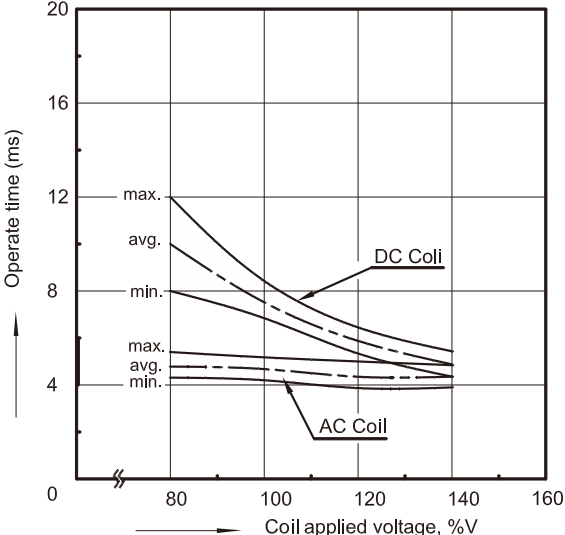
Temperature Rise (at 85°C)



Endurance



Operate time



Release time

